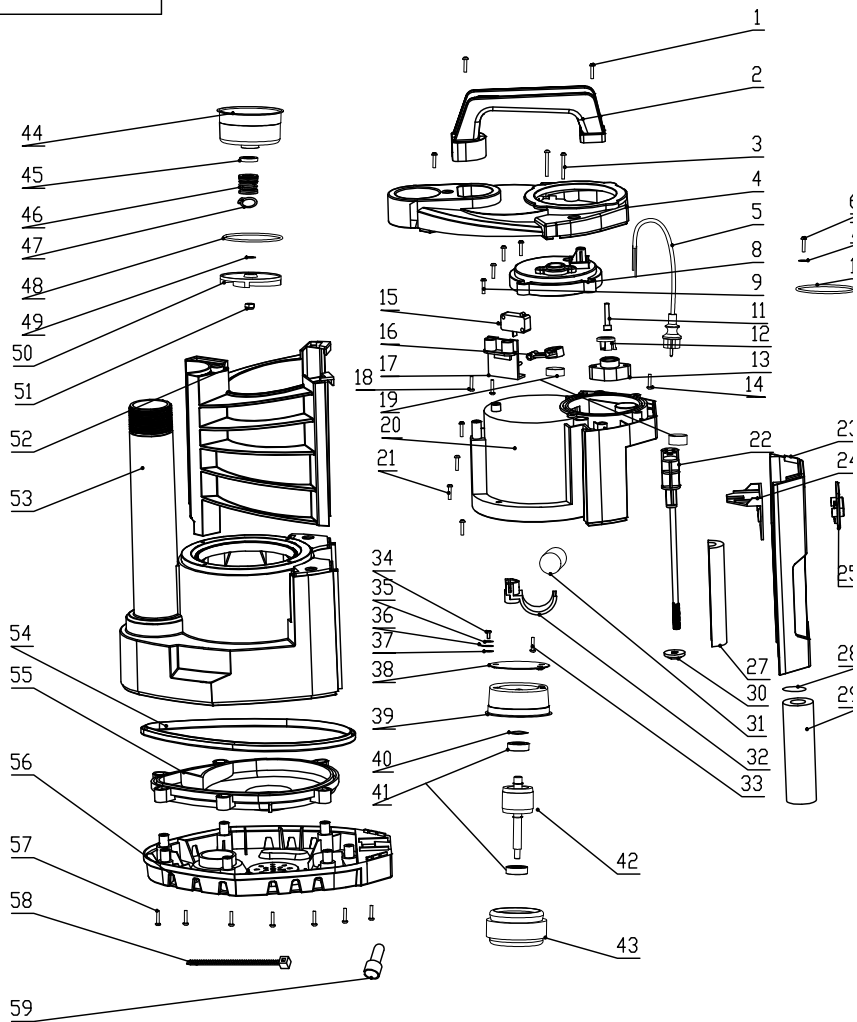


EXPLODED VIEW



PARTS LIST

No	description
1	screw
2	15# handle
3	screw
4	Decorative cover
5	cable&plug
6	screw
7	O shape ring
8	Sealing cover plate
9	screw
10	O- ring
11	cable jacket
12	Cord buckle
13	cord plate
14	screw
15	microswitch
16	Switch gravity block
17	microswitch-block
18	screw
19	magnet
20	Rear pump housing
21	screw
22	Floating ball hook
23	Float switch cover
24	Float Putter
25	Switch button
26	screw
27	Pearl cotton
28	Floating ball cover
29	Floating
30	screw
31	capacitance
32	Capacitor block
33	screw
34	screw
35	washer
36	Grounding wire piece
37	gasket
38	Insulated plate
39	rotor back cover
40	gasket
41	bearing
42	rotor
43	stator
44	cover
45	frame seal ring
46	machanism seal
47	clamp spring
48	O shape ring
49	flat gasket
50	impeller
51	cap nut
52	Decorative cover2
53	main cover
54	Base sealing gasket
55	Inner base
56	Outer base
57	screw
58	connection cap (L)
59	ribbon